



MS 08
connection column for the office

*the reasonable pri-
ced solution
ideal also for
all double floors*



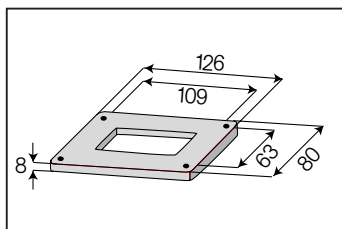
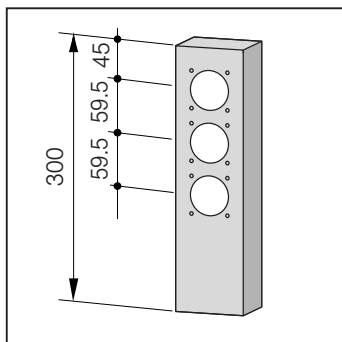
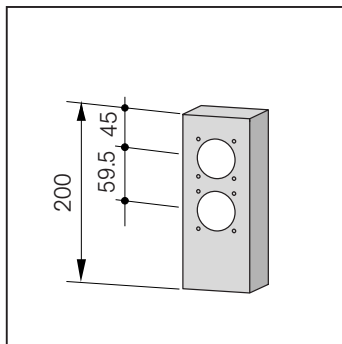
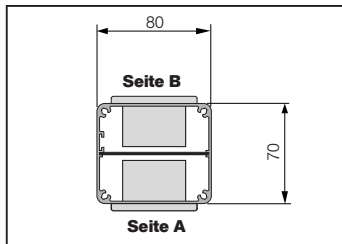
MS 08 Connection column

Description of performance
MS 08 office connection column consisting of entirely closed aluminium profile with plastic cover, screws for connecting of profile and bottom sheet, as well as screws for the attachment of the device.

- for 1- and two sided equipment
- if 2-sided equipment separation on wall included

- **for equipment with Mobile R programme**
(Fa. Berker)

- Protection type IPX0
 - in the colour silver s anodised
- Upon request also available with equipment.



MS 08 standard programme

| Description | Dimensions (mm) | Device drill | | Ref. No. |
|---|-----------------|--------------|--------|----------------------|
| | | Side A | Side B | |
| Connection column | 200 | 2 | - | MS 08-200s0-2 |
| | 200 | 2 | 2 | MS 08-200s0-4 |
| Connection column | 300 | 3 | - | MS 08-300s0-3 |
| | 300 | 3 | 3 | MS 08-300s0-6 |
| Separation bar | 200 | - | - | MS 08-Ts 200 |
| | 300 | - | - | MS 08-Ts 300 |
| Earth contact clamp | - | - | - | MS 08-Pk |
| Tension relief (necessary only for double floors) | - | - | - | MS 08-Ze |
| Bottom sheet plastic | 126 x 80 x 8 | - | - | MS 08-Fp0-T2 |
| Bottom sheet aluminium | 126 x 80 x 8 | - | - | MS 08-Fp0s-T3 |
| Screws kit with rawl plugs | 5 x 40 | - | - | MS 08-S1 |
| Screws kit for attachment on double floors | M5 x 60 | - | - | MS 08-S2 |

Einbaugeräte

| Bezeichnung | Ref.No. |
|---|----------------|
| Cover frame 2x combi | MS-Eg2 |
| Cover frame 3x combi | MS-Eg3 |
| Rocker switch 16 A / 250 V | MS-Eg6 |
| Shock-proof socket 10 A / 250 V | MS-Eg7 |
| Shock-proof socket with lead-ins at 45°, 10 A / 250 V | MS-Eg8 |
| Antenna socket 75 Ohm | MS-Eg12 |
| Loudspeaker-empty socket | MS-Eg13 |