

**MSD 15**  
**The sturdy ceiling supply column**

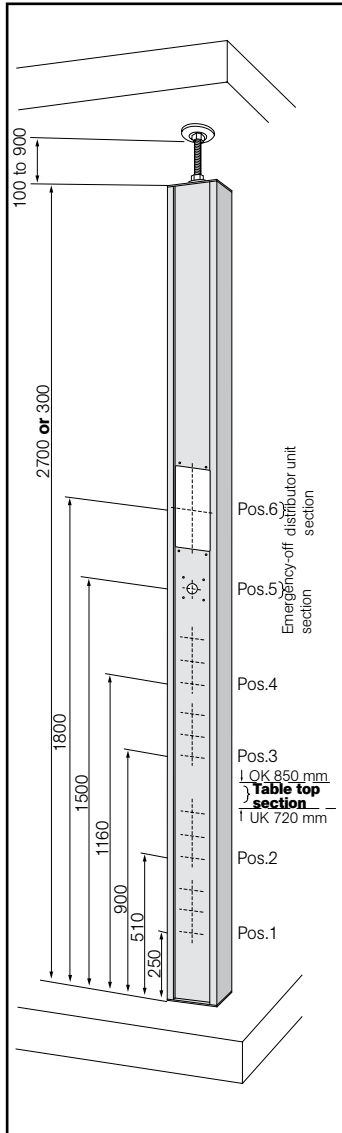
**For equipping on both sides**

for

- Industry
- Workshops
- Laboratories
- Canteen kitchens and large bakeries
- Hospitals



## MSD 15 How to secure



### Performance features

MSD 15 ceiling supply column for vertical connection technology, for supplying from the ceiling or the floor, from closed aluminium profile, prepared for

### equipping

on 1, 2 or 4 sides with **all standard equipment programs** including high and weak voltage devices as well as emergency-off button or CEE surface-mounted sockets up to 63A and distribution fuse board of max. 6 separating units. The column is divided into 6 positions for equipping. Each position can be equipped with a drilling unit as required.

For columns that can be equipped on both sides, please specify the bore holes of the second side separately.

A separating rail must be provided to separate the different electric circuits inside the column.

### Protection class

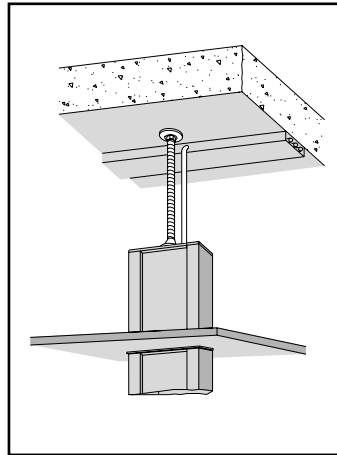
IPX 0 (dry version)  
IPX 5 (waterprotected version)

### Colour

silver anodized s  
white powder coated w

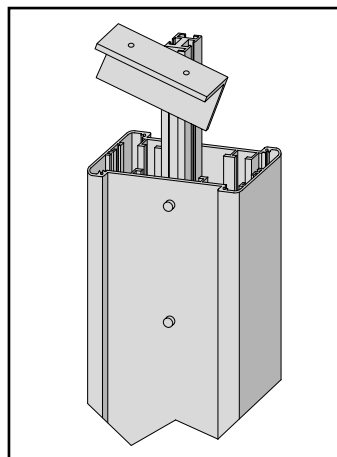
### Dimensions

150 x 100 x 2700 or 3000 mm



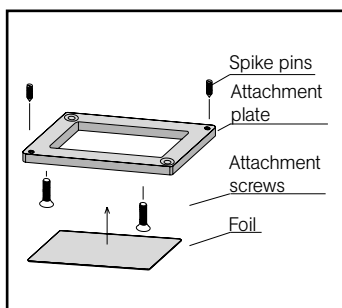
### The clamp attachment set for visible and intermediate ceilings

comprises an attachment plate that is flush to the profile for attaching the column to the floor, a cover with a 17 mm Ø bore hole and a threaded rod with an adjustment leg and nut for clamping the column between the ceiling and the floor. For bare ceilings with dropped intermediate ceilings, the cutout in the intermediate ceiling has an additional covering as enclosed. The clamp attachment has an adjustment range of 100 to 900 mm.



### The clamp attachment set with attachment bracket for visible and intermediate ceilings

comprises a baseplate with protruding profile for attaching the column to the floor, a column lid with guide rail and an attachment bracket. The bracket and guide are screwed to one another. This type of securing is ideal for slanting ceilings. For bare ceilings with dropped intermediate ceilings, the cutout in the intermediate ceiling has an additional covering as enclosed. The screw attachment has an adjustment range of 100 to 900 mm.



The baseplate with flush-fitted profile can be mounted in three ways, depending on the floor covering.

### 1. On concrete floors and floors with plastic coverings.

Screw spike pins into the plate from the underneath until the ends disappear in the plate; screw the plate to the floor, position the column on top and secure to the

ceiling.

### 2. On carpeted floors

Screw the spike pins from above into the plate until the ends disappear in the plate; screw the plate to the bottom end of the column; position the column on the floor and clamp with the clamp attachment between the ceiling and the floor.

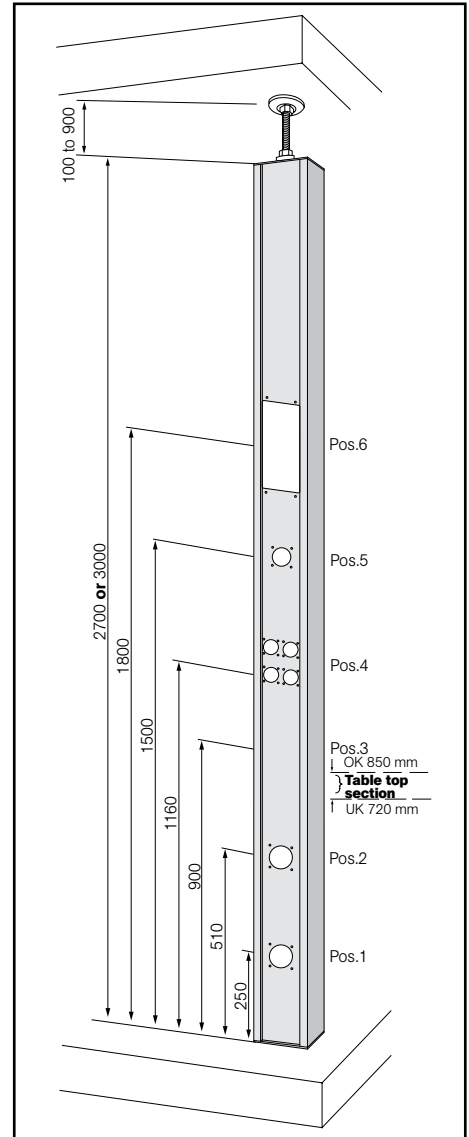
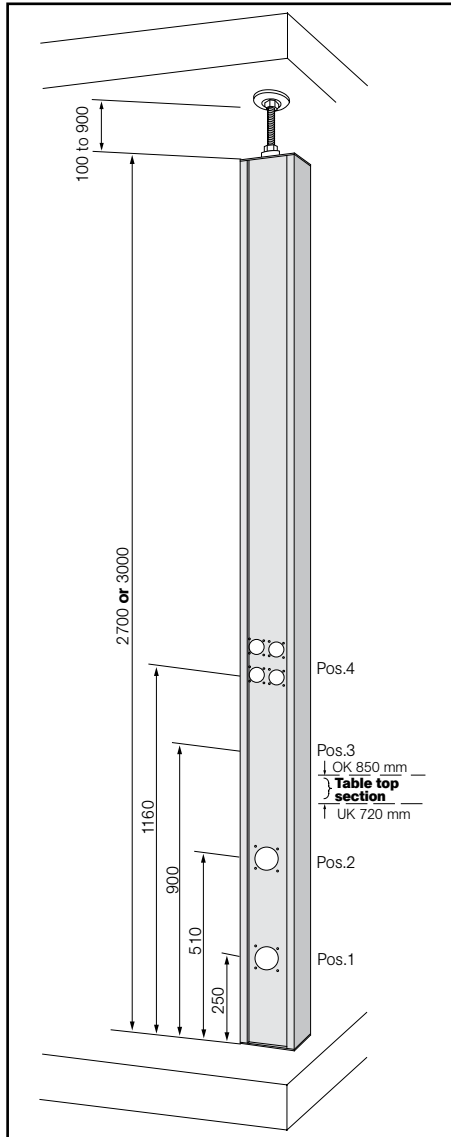
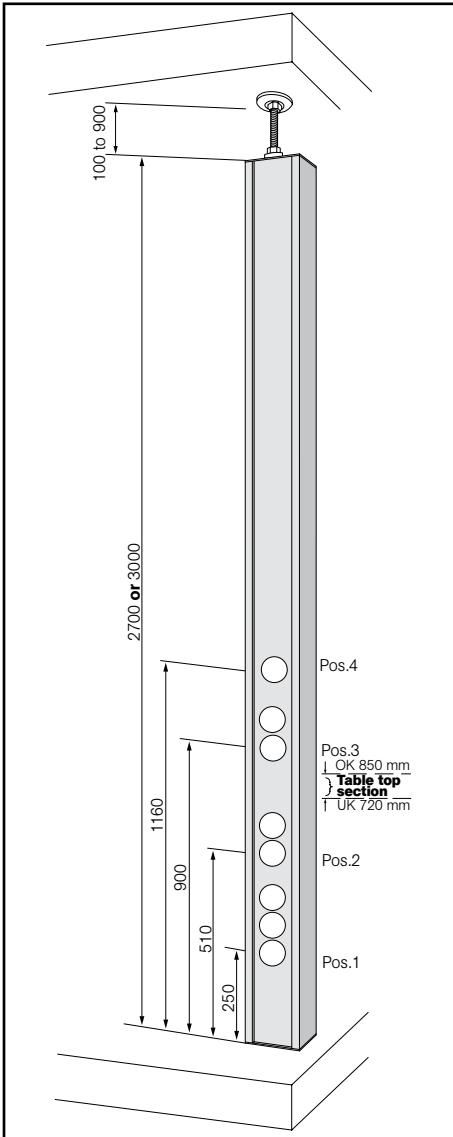
### 3. On tiled floors

Screw the plate to the bottom end of the column; attach the foil; position the column on the floor and clamp with the clamp attachment between the ceiling and the floor.

## MSD 15 Accessories

Description	Protection class	Colour	Ref.No.
<b>Clamp attachment set</b> (for visible ceilings) (with onconnector box)	IPX0	s	<b>MSD 15-SpS0s</b>
	IPX5	s	<b>MSD 15-SpS5s</b>
<b>Clamp attachment set</b> (for intermediate ceilings)	IPX0	s	<b>MSD 15-SpZ0s</b>
<b>Clamp attachment set with attachment bracket</b> (for visible and intermediate ceilings)	IPX0	s	<b>MSD 15-SwZ0s</b>
<b>Separation bar, 2700 mm</b>			<b>MSD 15-Ts2700</b>
<b>Separation bar, 3000 mm</b>			<b>MSD 15-Ts3000</b>

**MSD 15  
Standardtype**



**MSD 15 Standard range (unequipped)**

Drilling units 1 2 3 4 5 6	Height (mm)	Protection class	Colour	Ref.No.
G F F E - -	2700	IPX0	s	<b>MSD 15-2700-GFFE00s0</b>
G F F E - -	2700	IPX5	s	<b>MSD 15-2700-GFFE00s5</b>
H H - N - -	2700	IPX0	s	<b>MSD 15-2700-HH0N00s0</b>
H H - N - -	2700	IPX5	s	<b>MSD 15-2700-HH0N00s5</b>
H H - N D -	2700	IPX0	s	<b>MSD 15-2700-HH0ND0s0</b>
H H - N D -	2700	IPX5	s	<b>MSD 15-2700-HH0ND0s5</b>
H H - N D P	2700	IPX0	s	<b>MSD 15-2700-HH0NDPs0</b>
H H - N D P	2700	IPX5	s	<b>MSD 15-2700-HH0NDPs5</b>
G F F E - -	3000	IPX0	s	<b>MSD 15-3000-GFFE00s0</b>
G F F E - -	3000	IPX5	s	<b>MSD 15-3000-GFFE00s5</b>
H H - N - -	3000	IPX0	s	<b>MSD 15-3000-HH0N00s0</b>
H H - N - -	3000	IPX5	s	<b>MSD 15-3000-HH0N00s5</b>
H H - N D -	3000	IPX0	s	<b>MSD 15-3000-HH0ND0s0</b>
H H - N D -	3000	IPX5	s	<b>MSD 15-3000-HH0ND0s5</b>
H H - N D P	3000	IPX0	s	<b>MSD 15-3000-HH0NDPs0</b>
H H - N D P	3000	IPX5	s	<b>MSD 15-3000-HH0NDPs5</b>

**MSD 15**  
**Drilling units**

**MSD 15 Drilling units**

Description	Hole pattern	Ref.No.
<b>Drilling unit D</b> Emergency-off switch	10	<b>MS-Be-D</b>
<b>Drilling unit E</b> 1 standard device	13	<b>MS-Be-E</b>
<b>Drilling unit F</b> 2 standard devices in combination	13	<b>MS-Be-F</b>
<b>Drilling unit G</b> 3 standard devices in combination	13	<b>MS-Be-G</b>
<b>Drilling unit H</b> 1 CEE-externally mounted socket, straight 3 x 16A, 5 x 16A oder 5 x 32A, 400V	6	<b>MS-Be-H</b>
<b>Drilling unit I</b> 1 CEE-mondo, 5 x 16A, 400V	17	<b>MS-Be-I</b>
<b>Drilling unit L</b> 1 CEE-externally mounted socket, straight, 5 x 63A, 400V	9	<b>MS-Be-L</b>
<b>Drilling unit M</b> 2 shock-proof sockets with flap	3	<b>MS-Be-M</b>
<b>Drilling unit N</b> 4 shock-proof sockets with flap	3	<b>MS-Be-N</b>
<b>Drilling unit P</b> 1 distributor unit for max. 6 TE	15	<b>MS-Be-P</b>



MSD 15 - E\_oP - 05/2010  
 Technical alternations are subject to change without  
 proir notice.