

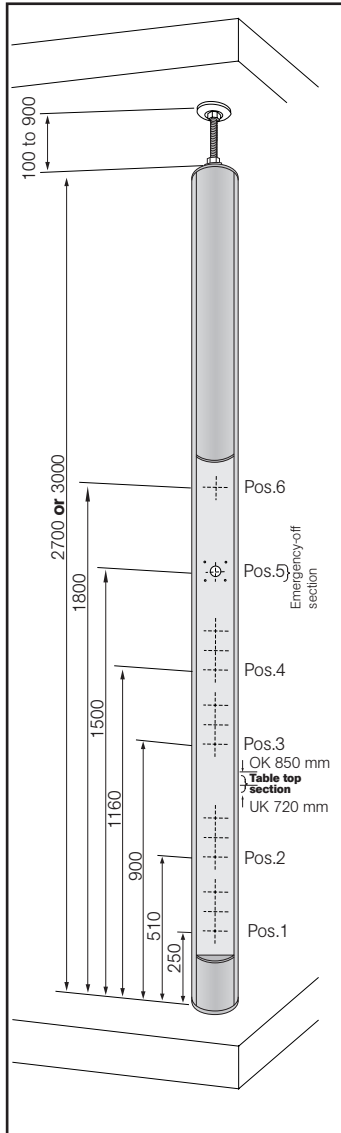
MSDR 12
The round ceiling supply column

for

- Offices
- Sales rooms
- Conference rooms
- Banks



MSDR 12 How to secure



Performance features

MSDR 12 ceiling supply column for vertical connection technology, for supplying from the ceiling or the floor, from closed aluminium profile, prepared for

equipping

on 1 side with **all standard equipment programs** including high and weak voltage devices as well as emergency-off button or CEE surface-mounted sockets up to 32A.

The column is divided into 6 positions for equipping. Each position can be equipped with a drilling unit as required.

Protection class

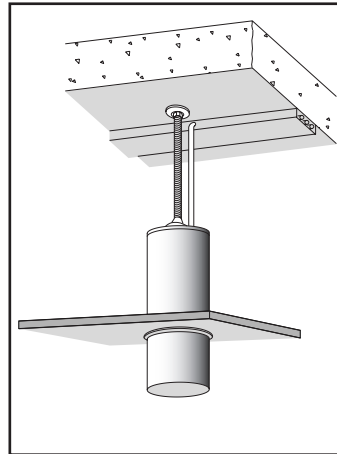
IPX 0 (dry version)
IPX 5 (waterprotected version)

Colours

silver anodized

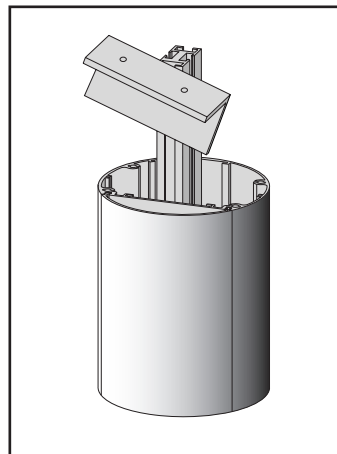
Dimensions

Ø 120 x 2700 or 3000 mm



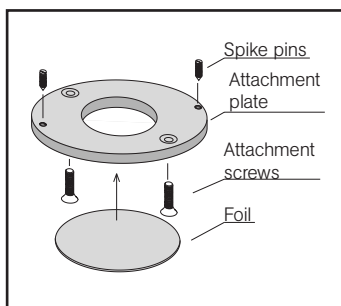
The clamp attachment set for visible and intermediate ceilings

comprises an attachment plate that is flush to the profile for attaching the column to the floor, a cover with a 17 mm Ø bore hole and a threaded rod with an adjustment leg and nut for clamping the column between the ceiling and the floor. For bare ceilings with dropped intermediate ceilings, the cutout in the intermediate ceiling has an additional covering as enclosed. The clamp attachment has an adjustment range of 100 to 900 mm.



The clamp attachment set with attachment bracket for visible and intermediate ceilings

comprises a baseplate with protruding profile for attaching the column to the floor, a column lid with guide rail and an attachment bracket. The bracket and guide are screwed to one another. This type of securing is ideal for slanting ceilings. For bare ceilings with dropped intermediate ceilings, the cutout in the intermediate ceiling has an additional covering as enclosed. The screw attachment has an adjustment range of 100 to 900 mm.



The baseplate with flush-fitted profile can be mounted in three ways, depending on the floor covering.

1. On concrete floors and floors with plastic coverings.

Screw spike pins into the plate from the underneath until the ends disappear in the plate; screw the plate to the floor, position the

column on top and secure to the ceiling.

2. On carpeted floors

Screw the spike pins from above into the plate until the ends disappear in the plate; screw the plate to the bottom end of the column; position the column on the floor and clamp with the clamp attachment between the ceiling and the

floor.

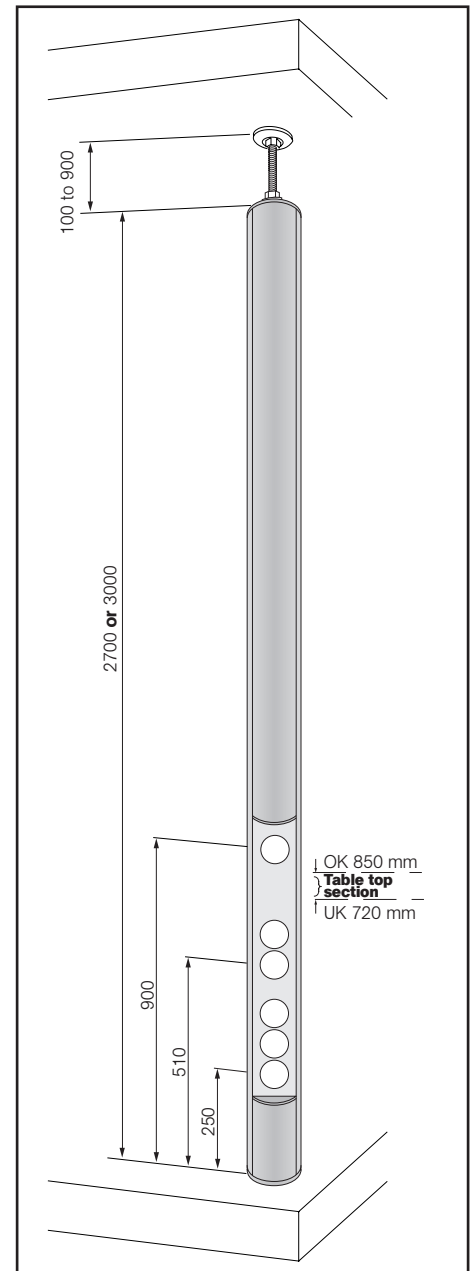
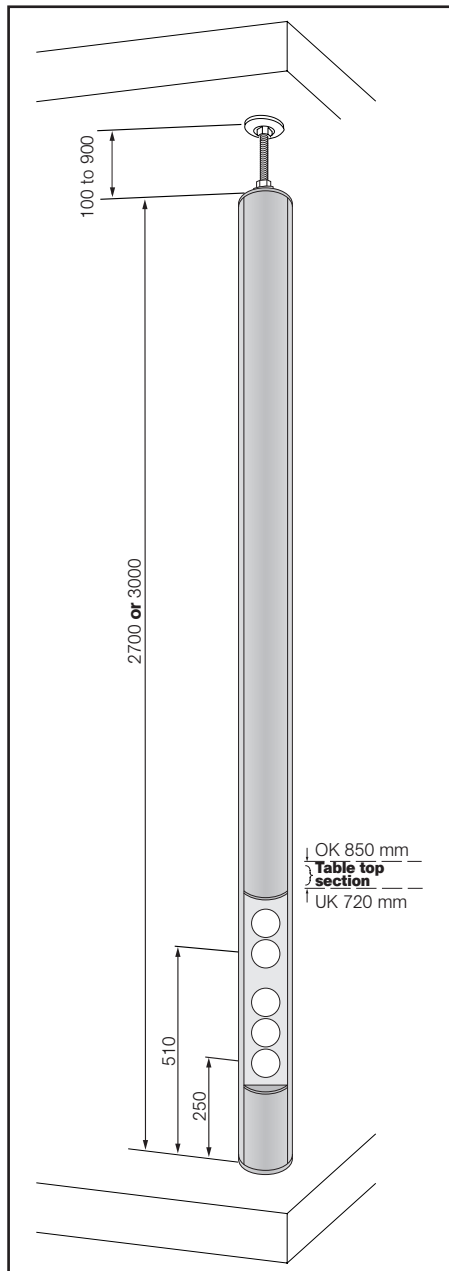
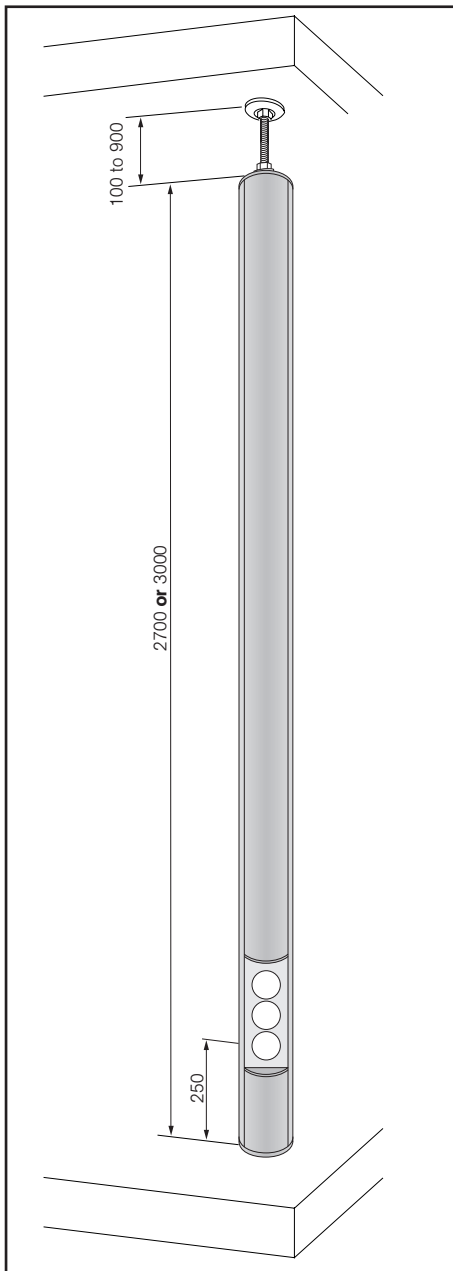
3. On tiled floors

Screw the plate to the bottom end of the column; attach the foil; position the column on the floor and clamp with the clamp attachment between the ceiling and the floor.

MSDR 12 Accessories

| Description | Protection class | Colour | Ref.No. |
|--|------------------|--------|-----------------------|
| Clamp attachment set (for intermediate ceilings) | IPX0 | s | MSDR 12-SpZ0s |
| Clamp attachment set with attachment bracket (for visible and intermediate ceilings) | IPX0 | s | MSDR 12-SwZ0s |
| Separation bar, 2700 mm | | | MSDR 12-Ts2700 |
| Separation bar, 3000 mm | | | MSDR 12-Ts3000 |

**MSDR 12
Standardtype**



MSDR 12 Standard range (unequipped)

| Drilling units | | | | | | Protection Höhe (mm) | class | Colour | Ref.No. |
|----------------|---|---|---|---|---|----------------------|-------|--------|------------------------------|
| 1 | 2 | 3 | 4 | 5 | 6 | | | | |
| G | - | - | - | - | - | 2700 | IPX0 | s | MSDR 12-2700-G00000s0 |
| G | - | - | - | - | - | 2700 | IPX5 | s | MSDR 12-2700-G00000s5 |
| G | F | - | - | - | - | 2700 | IPX0 | s | MSDR 12-2700-GF0000s0 |
| G | F | - | - | - | - | 2700 | IPX5 | s | MSDR 12-2700-GF0000s5 |
| G | F | E | - | - | - | 2700 | IPX0 | s | MSDR 12-2700-GFE000s0 |
| G | F | E | - | - | - | 2700 | IPX5 | s | MSDR 12-2700-GFE000s5 |
| G | - | - | - | - | - | 3000 | IPX0 | s | MSDR 12-3000-G00000s0 |
| G | - | - | - | - | - | 3000 | IPX5 | s | MSDR 12-3000-G00000s5 |
| G | F | - | - | - | - | 3000 | IPX0 | s | MSDR 12-3000-GF0000s0 |
| G | F | - | - | - | - | 3000 | IPX5 | s | MSDR 12-3000-GF0000s5 |
| G | F | E | - | - | - | 3000 | IPX0 | s | MSDR 12-3000-GFE000s0 |
| G | F | E | - | - | - | 3000 | IPX5 | s | MSDR 12-3000-GFE000s5 |

MSDR 12
Drilling units

MSDR 12 Drilling units

| Description | Hole pattern | Ref.No. |
|---|--------------|----------------|
| Drilling unit D Emergency-off switch | 10 | MS-Be-D |
| Drilling unit E 1 standard device | 13 | MS-Be-E |
| Drilling unit F 2 standard devices in combination | 13 | MS-Be-F |
| Drilling unit G 3 standard devices in combination | 13 | MS-Be-G |
| Drilling unit H 1 CEE-externally mounted socket, straight 3 x 16A, 5 x 16A oder 5 x 32A, 400V | 6 | MS-Be-H |



MSDR 12 - E_oP - 04/2005
Technical alterations are subject to change without prior notice.

Moser Systemelektrik
Erikaweg 1
D-78141 Schönwald
Telefon 0049(0)77 22/96 97-0
Fax 0049(0)77 22/96 97-11
info@moser-systemelektrik.de
www.moser-systemelektrik.de